



Safety Instructions

1, 2, 5, 8, 14, 33, 34



Info Hotline



+49 (0) 5041 998 389

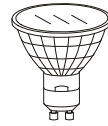
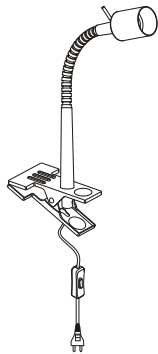
Mon. - Do. 7⁰⁰ - 20⁰⁰

Fr. 7⁰⁰ - 17⁰⁰

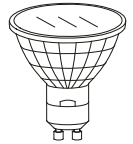
Paulmann Licht GmbH
Quezinger Feld 2
31832 Springe
Germany

www.paulmann.com

Art.-Nr. : 998.68
(+MA 326) PEA 07/16



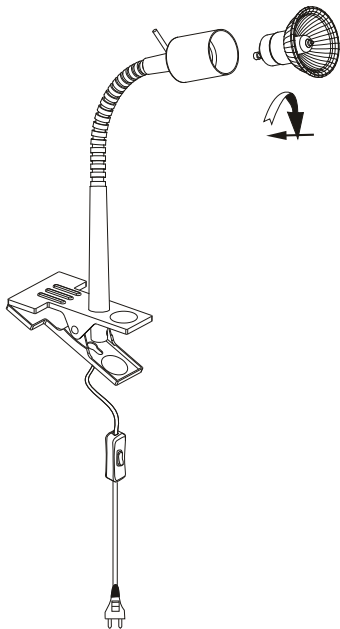
incl. GU10



Art.-Nr. 283.00
www.paulmann.com



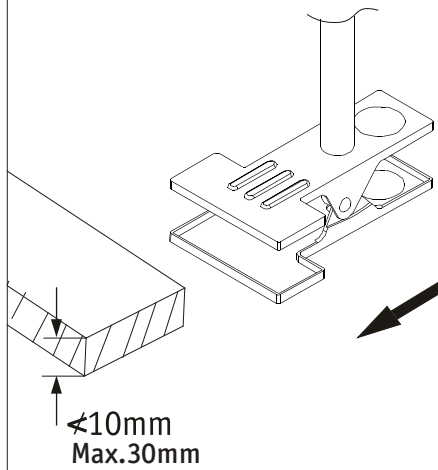
A



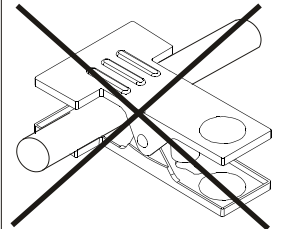
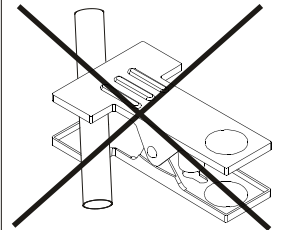
Safety
Instructions
Nr. 1,5



B



≤10mm
Max.30mm



C

